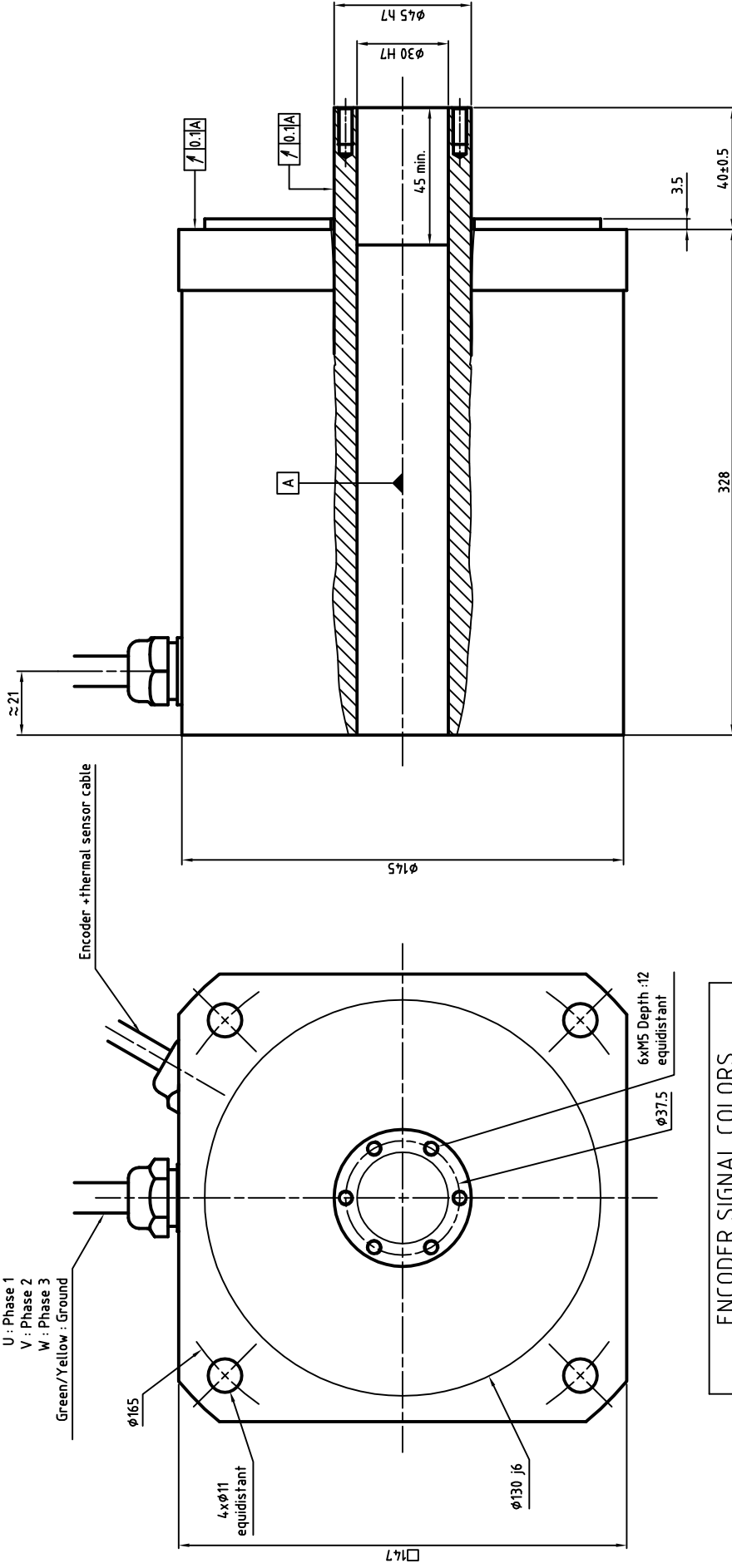


Power cable diameter and section depends on rated current
 U : Phase 1
 V : Phase 2
 W : Phase 3
 Green/Yellow : Ground



ENCODER SIGNAL COLORS	
Wires colors	ERN180
White	0V
Brown	Up
Green	A+
Yellow	A-
Pink	B-
Grey	B+
Blue	R+
Red	R-
Black	Thermal
Violet	Thermal
Grey/Pink	N/A
Red/Blue	N/A
ECN113	Up
0V	0V
A+	A+
A-	A-
B-	B-
B+	B+
DATA+	DATA+
DATA-	DATA-
CLOCK+	CLOCK+
CLOCK-	CLOCK-
Thermal	Thermal

ALXION

AUTOMATIQUE & PRODUCTIQUE
 Parc Technologique des Fossés Jean
 92712 COLOMBES Cedex
 Tél: 0141306304 - Fax: 0141306136

145ST7M22[2-7]XXXXXX